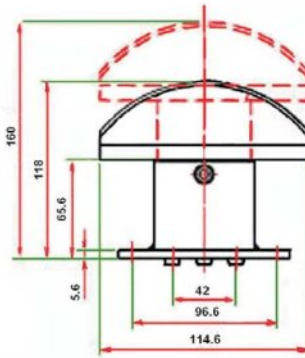


Spring Chain Tensioner

Heavy Load Type:

Arch profiles are made of UHMW PE,

Max load(25°C) 200N

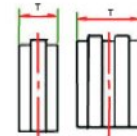


H - 08A - 1

Tensioner Type Chain Type

H - Heavy Load Type

L - Light Load Type

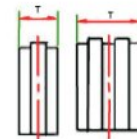
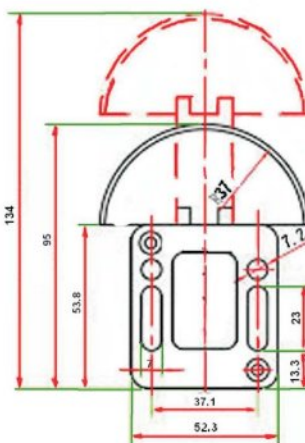


Heavy Load Type Tensioner			
		H-06B-1	H-06B-2
H-08A-1	H-08A-2	H-08B-1	H-08B-2
H-10A-1	H-10A-2	H-10B-1	H-10B-2
H-12A-1	H-12A-2	H-12B-1	H-12B-2
H-16A-1		H-16B-1	
H-20A-1		H-20B-1	

Light Load Type

Arch profiles are made of UHMW PE,

Max load(25°C) 130N



Light Load Type Tensioner			
		L-06B-1	L-06B-2
L-08A-1	L-08A-2	L-08B-1	L-08B-2
L-10A-1	L-10A-2	L-10B-1	L-10B-2
L-12A-1	L-12A-2	L-12B-1	L-12B-2
L-16A-1	L-16A-2	L-16B-1	L-16B-2
L-20A-1	L-20A-2	L-20B-1	L-20B-2